

Model: CTE 353A6

Data

Type: Ceiling unit coolers

Producer: ECO

Series: CTE

Model: CTE 353A6

Evaporator technical data

Air flow [m ³ /h]:	6950
Air throw [m]:	18
Heat exchange surface (int./ext.) [m ²]:	8,3/47,4
Inner volume [dm ³]:	14,7
Fin spacing [mm]:	6
Weight [kg]:	76

Fans technical data

Count:	3
Diameter [mm]:	350
Power input [W]:	555
Current [A]:	2,88
Power supply [V/f/Hz]:	230V/1/50Hz

Defrost

Electric [W]:	6300
Power electric defrost [W]:	7700
Water [l/h]:	-
Hot gas (GAS) ["]:	3/4"
Power supply [V/f/Hz]:	400V/3/50Hz

Connections

	<u>milimeters</u>	<u>inches (GAS)</u>
Inlet:	22	7/8"
Outlet:	35	1 3/8"
Drain:	25	1"
Drain (WD):	-	-

Model: CTE 353A6

Capacity

R404A/R507

Cooling capacity [kW]

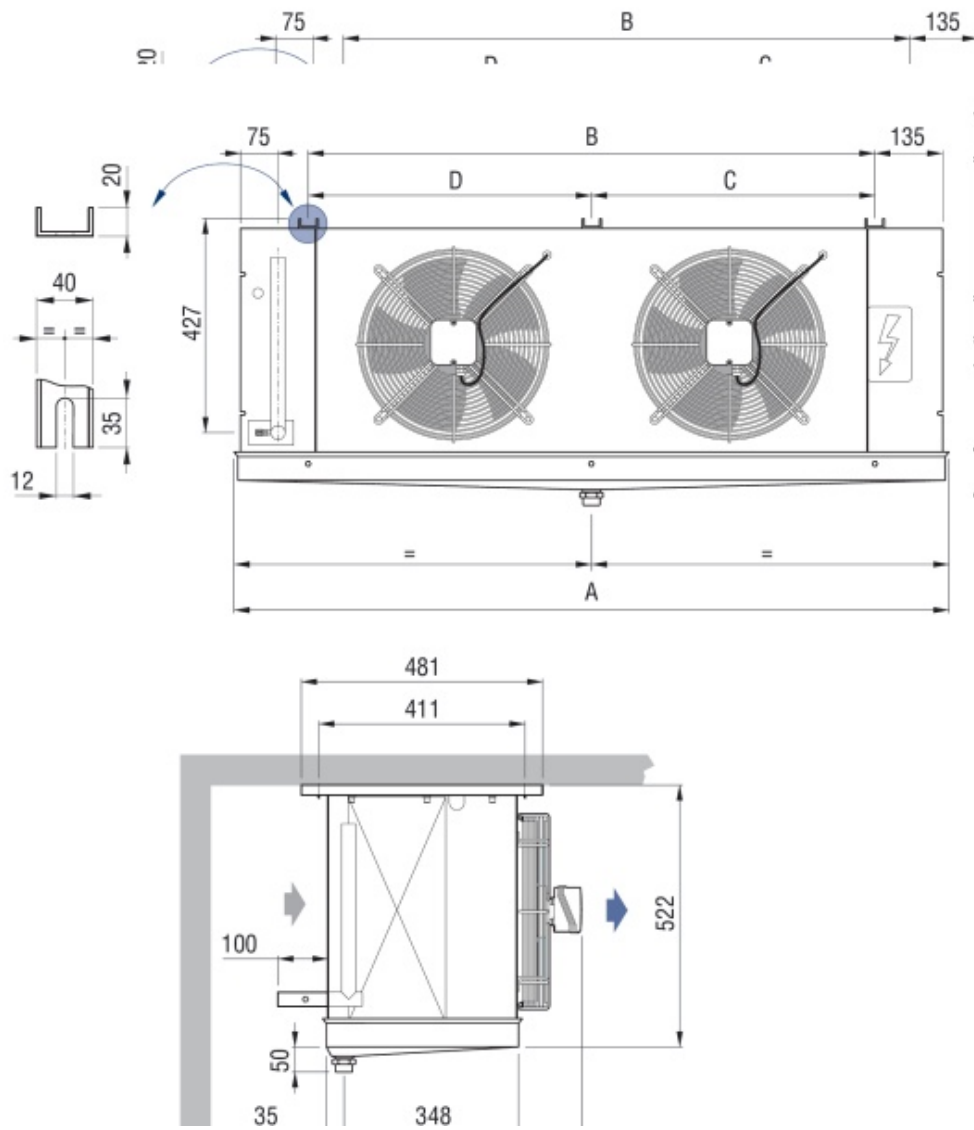
TD \ t _a	-15	-10	-5	0	2
5	8.29	8.51	8.72	8.94	9.56
6	9.95	10.21	10.47	10.73	11.47
7	11.61	11.91	12.21	12.51	13.38
8	13.26	13.61	13.95	14.30	15.29
9	14.92	15.31	15.70	16.09	17.21
10	16.58	17.01	17.44	17.88	19.12
11	18.24	18.71	19.19	19.66	21.03
12	19.90	20.41	20.93	21.45	22.94
13	21.55	22.11	22.68	23.24	24.85
14	23.21	23.82	24.42	25.03	26.77
15	24.87	25.52	26.16	26.81	28.68

t_a - Room temperature [°C]

TD - Difference between evaporating and room temperature [K]

Model: CTE 353A6

Dimensions



A	1975 mm
B	1680 mm
C	- mm
D	- mm

Model: CTE 353A6

Image

